

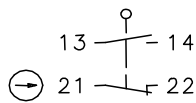
Plastic bodied limit switch

Series TI2

Description **TI2-SU1Z HW 180GR IP67**

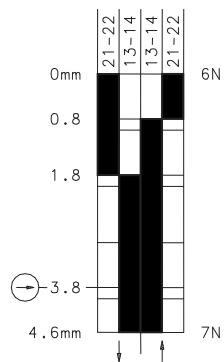
Article number **6188171048**

Operating symbol

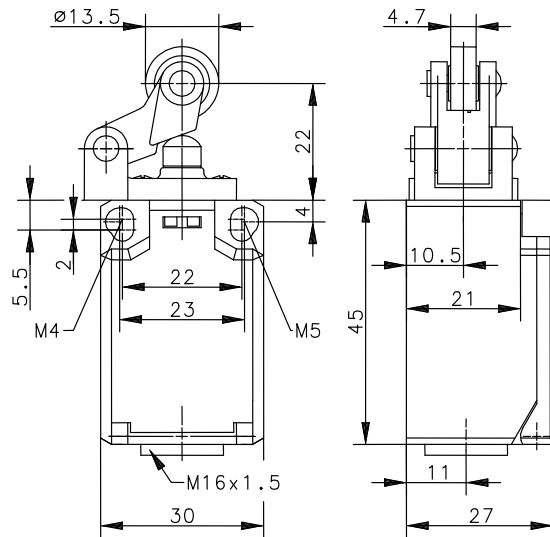
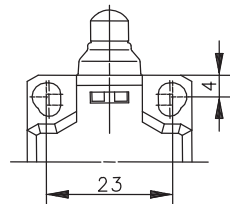


Fixed positioning with e.g. fixing screw M5 according to the standard DIN EN ISO 4762.

Operating diagram



On
 Off
 Tolerance:
 Operating point $\pm 0,25$ mm;
 Actuating force ± 10 %



Electrical Data

| | | |
|---------------------------------|-----------|---|
| Rated insulation voltage | U_i | 250 V AC |
| Conv. thermal current | I_{the} | 10 A AC / 2,5 A DC |
| Rated operational voltage | U_e | 240 V AC; 250 V DC |
| Utilization category | | AC-15, U_e/I_e 240 V / 3 A; DC-13, U_e/I_e 250 V / 0,27 A |
| Direct opening action | \ominus | acc. to IEC/EN 60947-5-1, Annex K |
| Short-circuit protective device | | Fuse 6 A gG |
| Protection class | | II, totally insulated |